

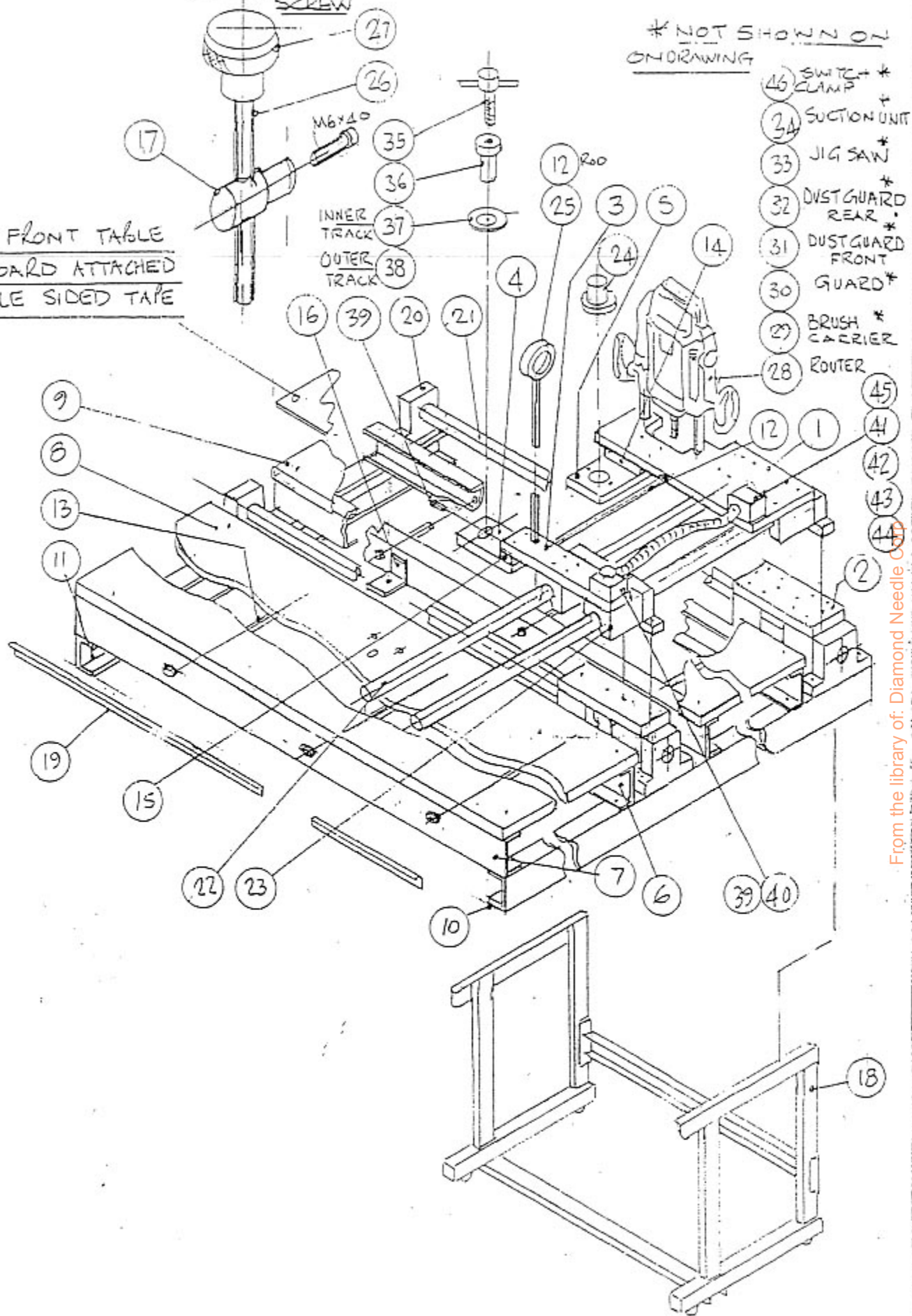
7.0 Autotrak

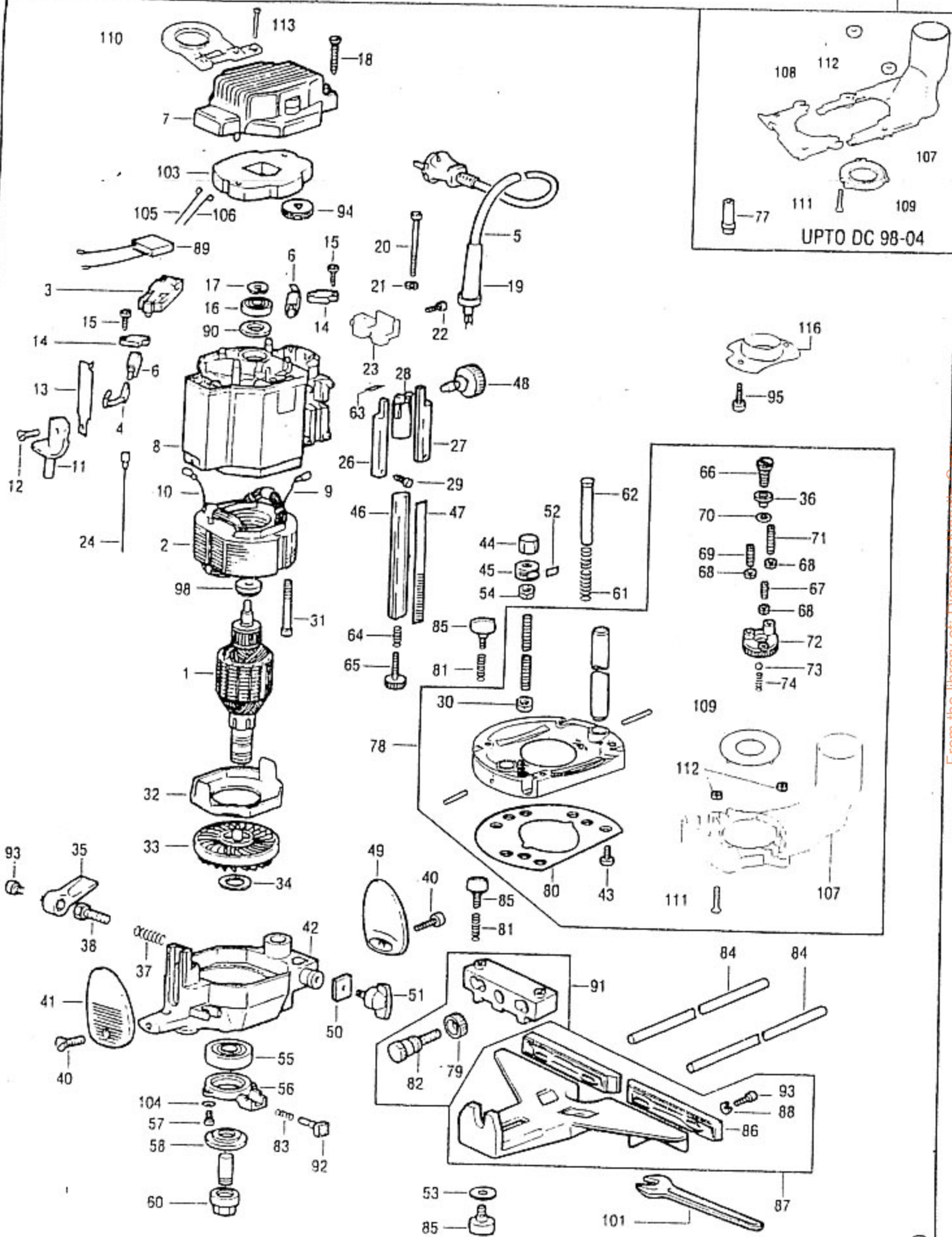
ITEM	CODE No.	DESCRIPTION	QTY
1	018045	Router Plate	1
2	018046	Bearing Plate 'X' Axis	2
3	018047	Bearing Plate 'Y' Axis	2
4	018048	Stylus Plate	1
5	018049	Extractor Mounting Plate	1
6	018050	Cross Beam (Front)	2
7	018051	Cross Beam (Rear)	2
8	018052	Table (Rear)	1
9	018053	Table (Front)	1
10	018054	End Mounting Beam R.H	1
11	018055	End Mounting Beam L.H	1
12	018056	Pusher / Pillar	2
13	018057	Tie Rod	6
14	018041	Spacer	1
15	018059	Spacing Block	1
16	018060	Support	4
17	018043	Adjusting Nut	2
18	047154	Stand	1
19	018031	Aluminium Extrusion	1
20	018062	Shaft Support SK25	8
21	018063	Bearing Shaft 25x1270	2
22	018064	Bearing Shaft 25x1000	2
23	018065	Bearing SBR 25UU	8
24	018012	Dust Tube Connector	1
25	018019	Support Ring	1
26	018061	Adjust Screw	1
27	018042	Hand Knob	1
28	018044	Router	1
29	018017	Brush carrier	1
30	018023	Cutter Guard	1
31	018018	Dust Guard	1
32	018022	Dust Guard (Rear)	1
33	016310	Jig Saw	1
34	016810	Suction Unit	1
35	018007	Stylus Retaining Screw	1
36	018006	Guide Bush	1
37	018008	Stylus Inner Track	1
38	018009	Stylus Outer Track	1
39	018040	Start Button	1
40	018066	Enclosure	1
41	058606	Conduit	0.5M
42	058614	Conduit Gland	2
43	046805	Cable Gland	2
44	058624	Enclosure (Junction Box)	1
45	018067	Terminal Block	1
46	018068	Bosch Switch Clamp	1

ADJUSTING SCREW

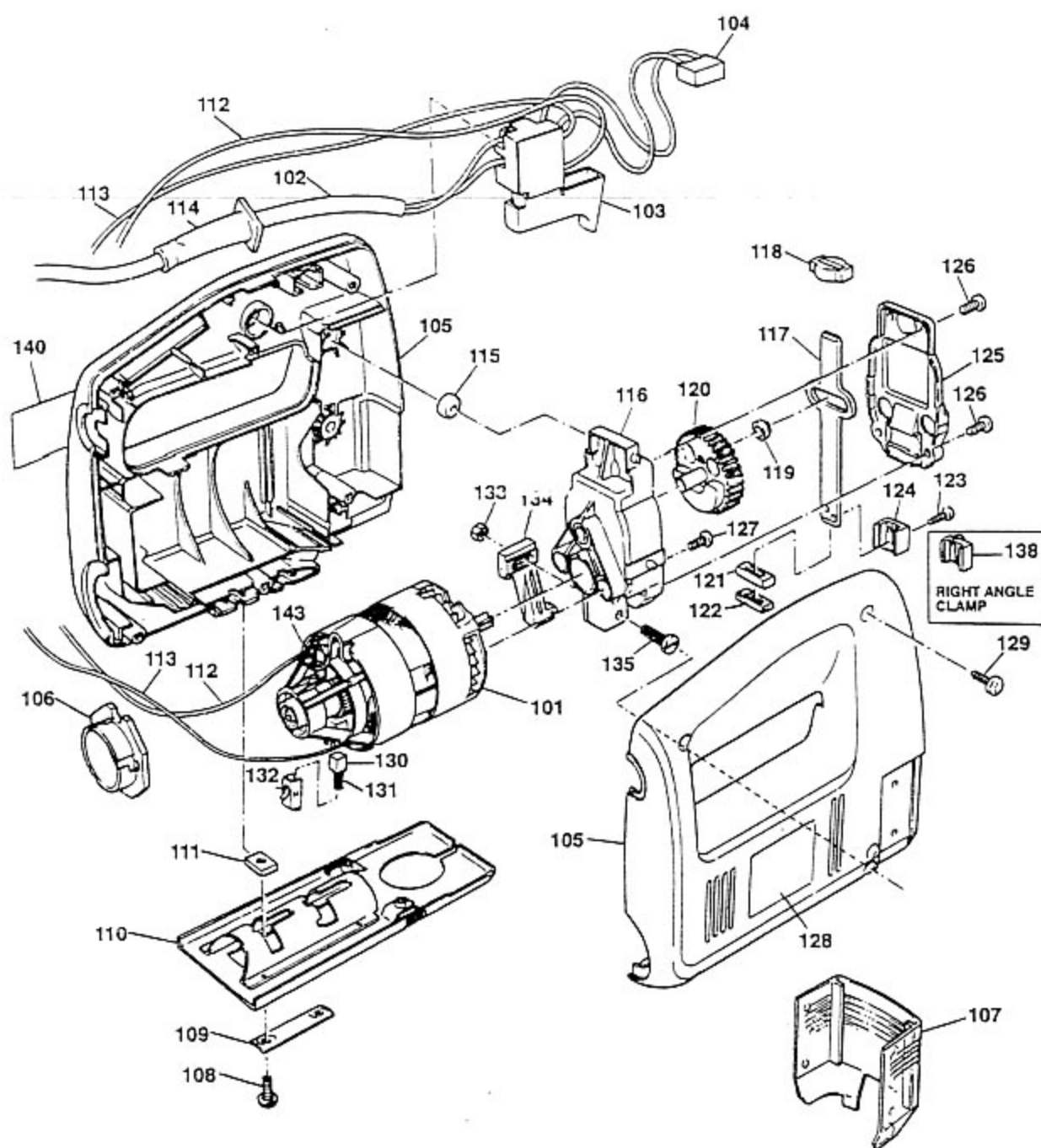
\* NOT SHOWN ON DRAWING

PROTECT FRONT TABLE  
USING BOARD ATTACHED  
BY DOUBLE SIDED TAPE





From the library of: Diamonda Needle Corp





Step-Back Trimming  
 Separator Blade Manufacture.

Figure 1.0 below shows the size and position of the separator blade used on the step back trimming templates. This blade is used to separate the layers of material to allow the step back wire to slide between the layers without catching on the material.

The diagram below shows the position of the blade on a Front template. The same dimension applies for a collar jig if the size of the collar allows. The 70mm dimension may have to be revised to suit particular applications.

When a template is made without a fulling bar the separator blade can be hinged from the rear of the template.

Materials Used: Tin  
 Double Sided Tape

